

Lifting Eye TAPG/TAPG-S



Product information

The eyes can be loaded with working load limit in all directions. All the eyes are pivoted to avoid breakage in the eyes, which also make it possible to fold it aside when it is not used.

Model TAPG: Lifting D-Ring and Bridge - without Screws.

Model TAPG-S: Lifting D-ring, bridge and 2 screws 8.8 EN 24014 (DIN 931)

Attachment-point, bolt-on type, in working load limits of 3 - 8 t.

Features:

- Compact design
- Secured four times against breakage
- Working range 120°
- Bolt on plate also serves as marking stencil

The D-link must be able to move freely. The load take-up may not be supported on edges or on the sling point.

Material: Eye of alloy steel.

Marking: WLL.

Note: The surface that the lifting eyes shall be attached to shall be flat and tolerate the load it is going to be exposed to.

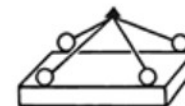
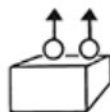
Warning: Only screws with a minimum strength class of 8.8 EN 24014 (DIN 931) may be used

Safety factor: 4:1

Part Code	Code	WLL ton	Thread mm	Torque Nm	Screw mm	a mm	b mm	c mm	Ø d mm	e mm	f mm	g mm	h mm	l mm	Weight kg	Delivery time
42150380503300	TAPG-S 3	3.15	M20	210	M20 x 45	12	56	50	18	34	130	90	21	51	1.43	3
42150380505300	TAPG-S 5	5.3	M24	290	M24 x 55	15	67	60	22	42	160	110	25	63	2.58	7
42150380508300	TAPG-S 8	8	M27	550	M27 x 65	20	80	70	26	55	190	130	28	67	4.38	3

Technical data

Kind of attachment



Number of pieces

1

2

2

2

3 o. 4

3 o. 4

Inclination angle

0°

0°

0°

0°-45°

45°-60°

0°-45°

45°-60°

WLL

WLL

WLL

WLL

WLL

WLL

WLL

Code

t

t

t

t

t

t

t

TAPG-S / TAPG 3

3,15

4,75

9,5

4,25

3,15

6,3

4,75

TAPG-S / TAPG 5

5,3

8

16

7,1

5,3

11,2

8

TAPG-S / TAPG 8

8

12

24

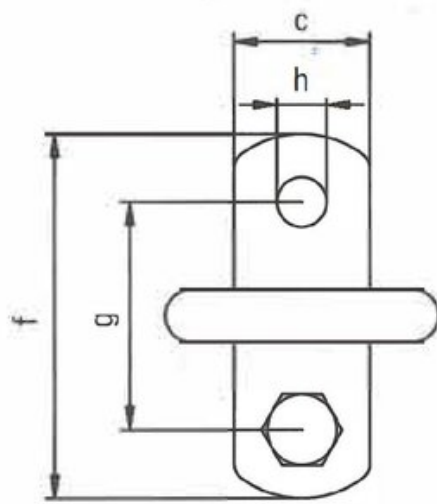
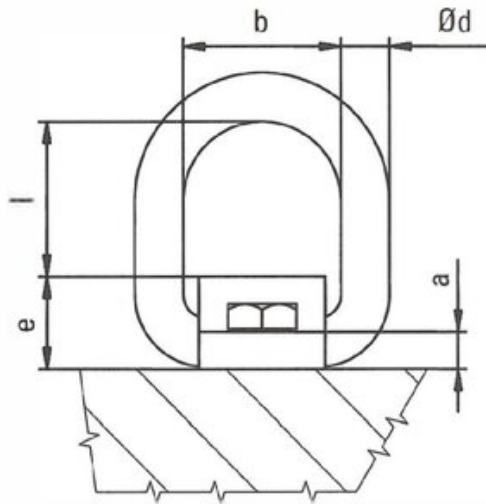
11,2

8

16

12

Blueprint



Anschlagart
 kind of attachment

Stück / number of pieces
 Neigungswinkel
 inclination angle

Bezeichnung Code	Nominal W.L. mm W.L.	0°		0°-45°		45°-60°		Schraube screw	Anschluß- moment tightening torque
		Working load limit W.L.	Working load limit W.L.	Working load limit W.L.	Working load limit W.L.	Working load limit W.L.	Working load limit W.L.		
FAPG- β	3.15	4.75	9.5	4.25	3.15	6.7	4.75	M20	210
FAPG- β	5.5	8	16	7.5	5.5	11.2	8	M24	290
FAPG- α	8	12	24	11.2	8	17	13.8	M27	350